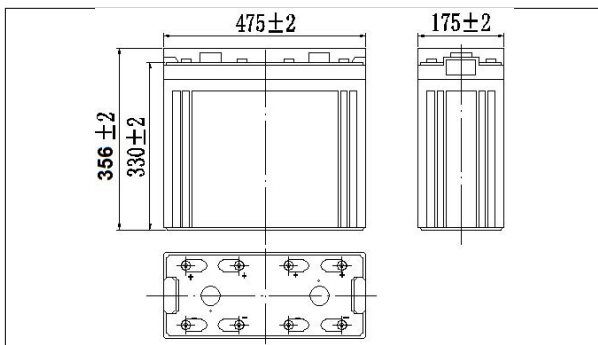


Specifications

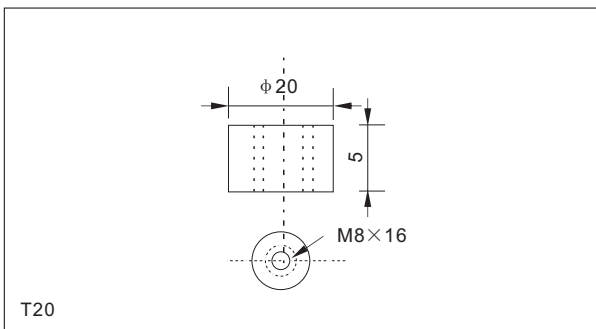
Nominal Voltage	2V	
Rated capacity (20 hour rate)	1000Ah	
Dimensions	Length	475±2mm(18.70inch)
	Width	175±2mm(6.89inch)
	Height	330±2mm(12.99inch)
	Total Height	356±2mm(14.02inch)
Approx. Weight	63kg(138.6lbs)±3%	



Outer dimensions (mm)



Terminal Type (mm)



Characteristics

Capacity (25°C)	20HR(1.8V)	1000Ah
	3HR(1.80V)	780Ah
	1HR(1.75V)	580Ah
Terminal type		T20
Internal resistance (Fully charged, 25°C)		Approx. 0.28m Ω
Capacity affected by temperature (20HR)	40°C	102%
	25°C	100%
	0°C	85%
	-15°C	65%
Self-discharge (25°C)	3 months	Remaining Capacity: 91%
	6 months	Remaining Capacity: 82%
	12 months	Remaining Capacity: 65%
Nominal operating temperature		25°C ± 3°C (77°F ± 5°F)
Operating temperature range	Discharge	-15°C ~ 50°C (5°F ~ 122°F)
	Charge	-10°C ~ 50°C (14°F ~ 122°F)
	Storage	-20°C ~ 50°C (-4°F ~ 122°F)
Float charging voltage (25°C)		2.25 to 2.30V Temperature compensation: -3mV/°C
Cyclic charging voltage (25°C)		2.40 to 2.50V Temperature compensation: -5mV/°C
Maximum charging current		200A
Maximum discharge current		5500A(5 sec.)
Designed floating life (20°C)		15 years

Construction

Component	Positive plate	Negative plate	Container	Cover	Separator	Electrolyte	Safety valve	Terminal
Raw material	lead dioxide	Lead	ABS	ABS	AGM	Sulfuric acid	Rubber	Copper

Constant Current Discharge Characteristics Unit: A(25°C, 77°F)

F.V/Time	15min	30min	60min	2h	3h	4h	5h	6h	8h	10h	20h
1.60V	1460	956	662	387	278	223	192	165	130	107	56.7
1.65V	1424	936	642	385	277	221	191	164	129	107	56.5
1.70V	1372	908	622	381	275	220	189	163	128	107	56.4
1.75V	1325	886	602	375	273	218	188	162	128	106	56.0
1.80V	1255	853	582	366	265	212	182	157	124	106	55.7

Constant Power Discharge Characteristics Unit: W(25°C, 77°F)

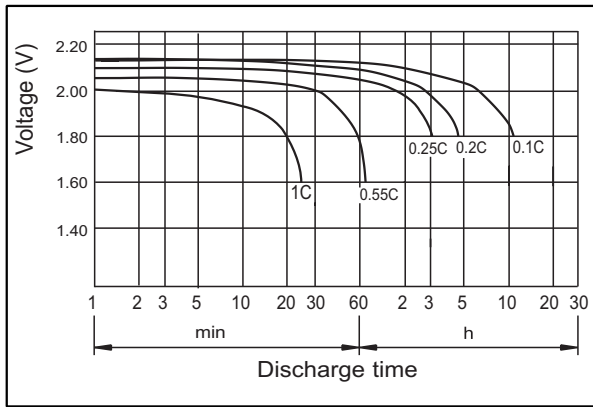
F.V/Time	15min	30min	60min	2h	3h	4h	5h	6h	8h	10h	20h
1.60V	2671	1787	1257	747	546	437	378	325	259	214	113
1.65V	2607	1751	1219	742	543	434	375	323	257	213	113
1.70V	2511	1697	1181	736	539	431	373	321	256	213	113
1.75V	2425	1656	1144	725	535	428	370	319	254	211	112
1.80V	2297	1596	1106	706	519	415	359	309	246	210	111

Note: The above characteristics data can be obtained within three charge or discharge cycles.

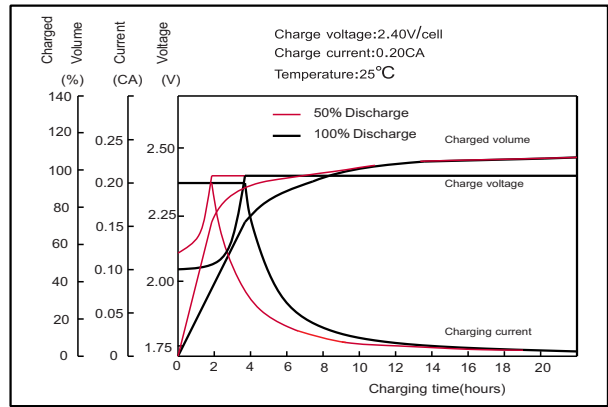
Valve Regulated Deep Cycle Battery

GPD1000-2 2V 1000AH

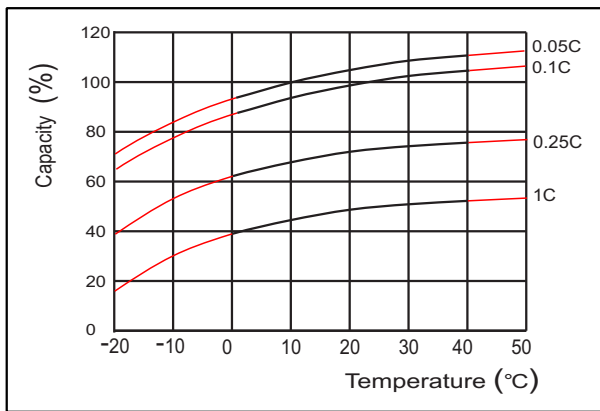
Discharge characteristics(25°C)



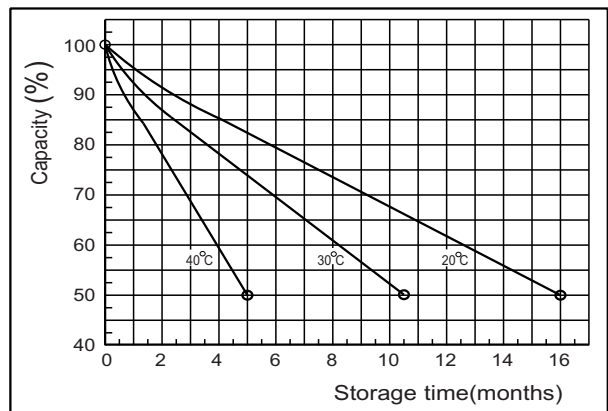
Charging characteristics



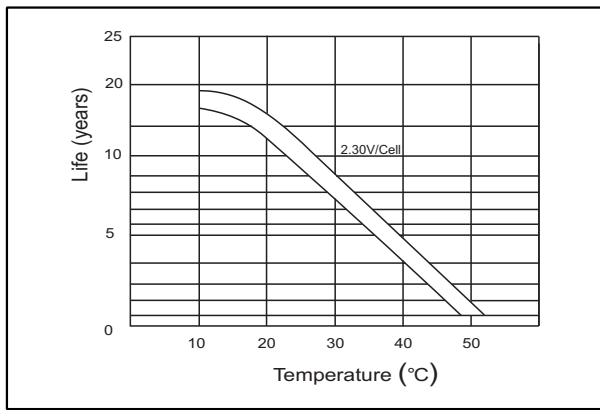
Effect of Temperature on Capacity



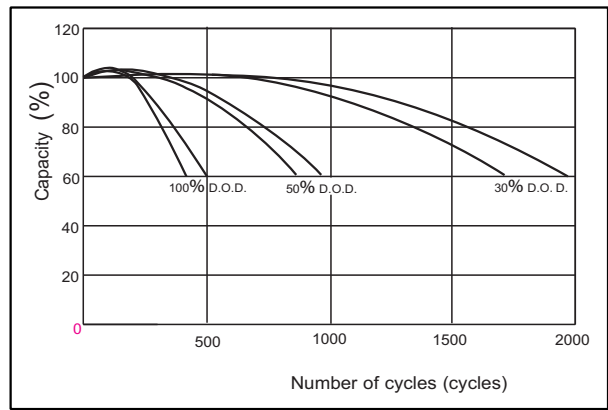
Self-discharge characteristics



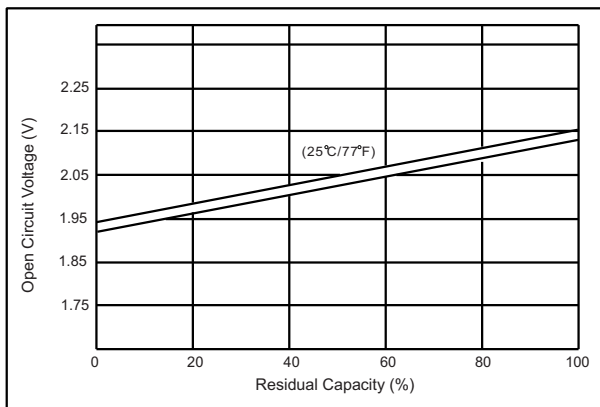
Temperature effects on float life



Cycle service life in relation to depth of discharge



The relationship for OCV and Capacity (25°C)



The relationship for Charging voltage and Temperature

