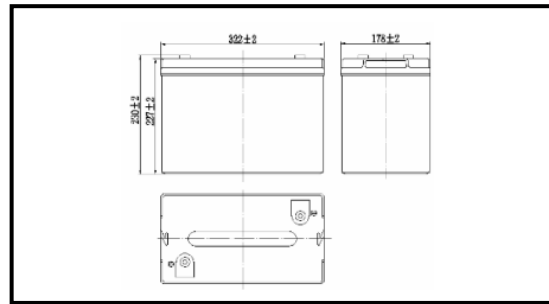




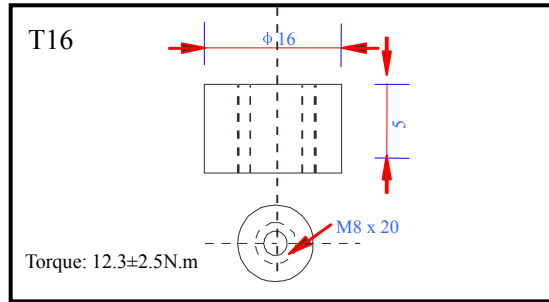
Specifications

Nominal voltage	6V (3 cells per unit)	
Rated capacity (10HR)	220Ah/5.4V	
Dimensions	Length	322±2mm (12.68inch)
	Width	178±2mm (7.01inch)
	Height	227±2mm (8.94inch)
	Total height	230±2mm (9.06inch)
Approx. weight	30.50kg (67.20lbs)±3%	

Outer dimensions (mm)



Terminal type (mm)



Characteristics

Capacity (25°C)	10HR (5.4V)	220Ah
	3HR (5.4V)	160.2Ah
	1HR (5.25V)	128Ah
Terminal type		T16
Internal resistance (Fully charged, 25°C)		Approx. 1.8mΩ
Capacity affected by temperature (10HR)	40°C	102%
	25°C	100%
	0°C	85%
	-15°C	65%
Self-discharge (25°C)	3 months	Remaining capacity: 91%
	6 months	Remaining capacity: 82%
	12 months	Remaining capacity: 65%
Nominal operating temperature		25°C±3°C (77°F±5°F)
Operating temperature range	Discharge	-15°C~50°C (5°F~122°F)
	Charge	-10°C~50°C (14°F~122°F)
	Storage	-20°C~50°C (-4°F~122°F)
Float charging voltage (25°C)		6.75 to 6.90V Temperature compensation: -9mV/°C/Block
Cyclic charging voltage (25°C)		7.25 to 7.50V Temperature compensation: -15mV/°C/Block
Maximum charging current		60A
Maximum discharge current		1400A (5 sec.)
Design life	10 years for floating (25°C)	
	Eurobat (20°C): 6-9 years, general purpose.	

Construction

Component	Positive plate	Negative plate	Container	Cover	Separator	Electrolyte	Safety valve	Terminal
Raw material	Lead dioxide	Lead	ABS	ABS	AGM	Sulfuric acid	Rubber	Copper

Constant current discharge characteristics unit: Ampere/Block (at 25°C, 77°F)

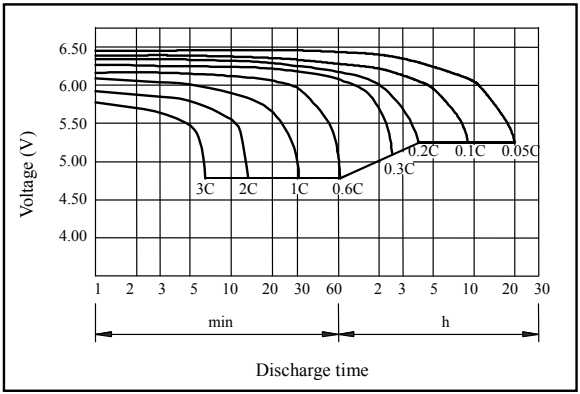
F.V/TIME	15min	30min	60min	2h	3h	4h	5h	6h	8h	10h	20h
4.80V	363	220	136	80.4	56.1	46.0	39.3	34.3	26.9	22.4	11.8
4.95V	354	216	134	79.9	55.8	45.7	39.0	34.1	26.8	22.4	11.7
5.10V	341	209	131	79.2	55.4	45.4	38.8	33.9	26.6	22.3	11.7
5.25V	330	204	128	78.0	55.0	45.1	38.5	33.7	26.4	22.2	11.6
5.40V	312	196	124	76.0	53.4	43.7	37.3	32.7	25.6	22.0	11.6

Constant power discharge characteristics unit: Watt/Block (at 25°C, 77°F)

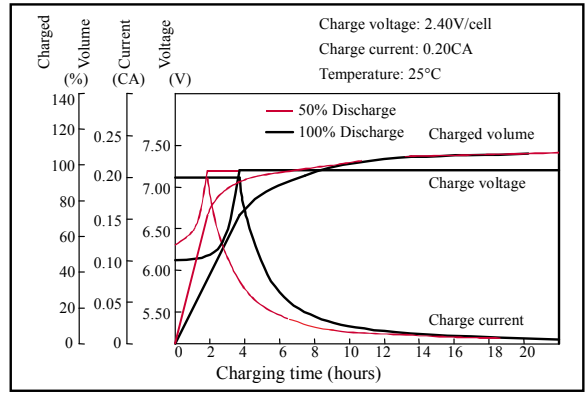
F.V/TIME	15min	30min	60min	2h	3h	4h	5h	6h	8h	10h	20h
4.80V	1993	1234	777	465	330	270	232	203	160	134	70.5
4.95V	1945	1210	766	463	328	269	231	202	159	133	70.4
5.10V	1873	1172	746	459	326	267	229	200	158	133	70.2
5.25V	1810	1144	732	452	323	265	228	199	157	132	69.8
5.40V	1714	1102	709	440	314	257	221	193	152	131	69.3

Note 1: Above characteristics data can be obtained within three charge and discharge cycles.

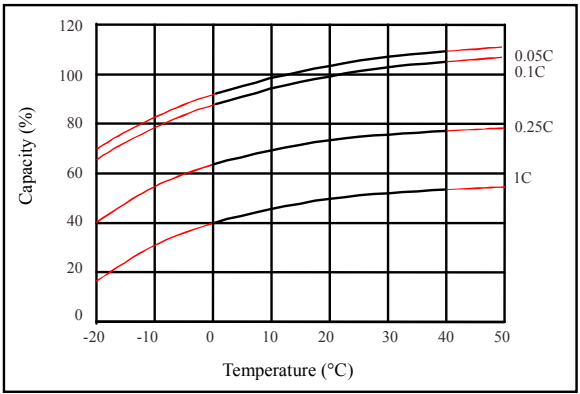
● Discharge characteristics (25°C)



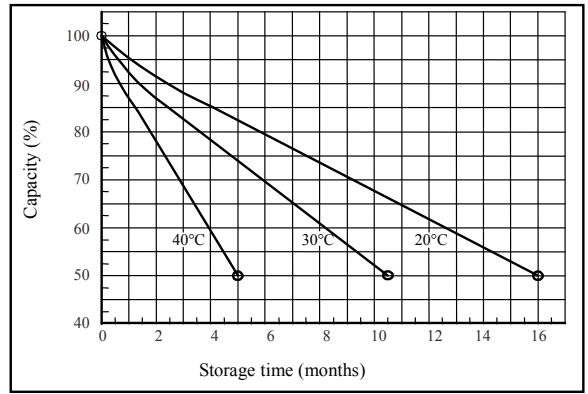
● Charging characteristics (25°C)



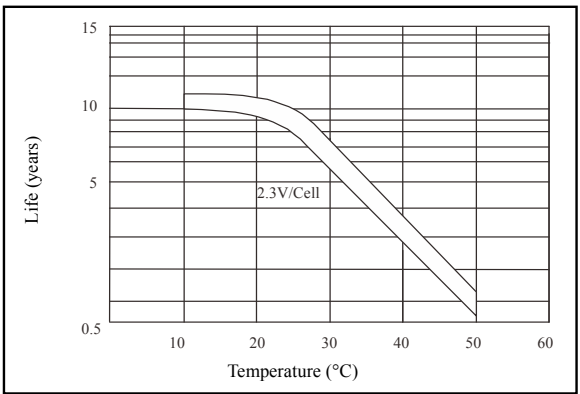
● Temperature effects on capacity



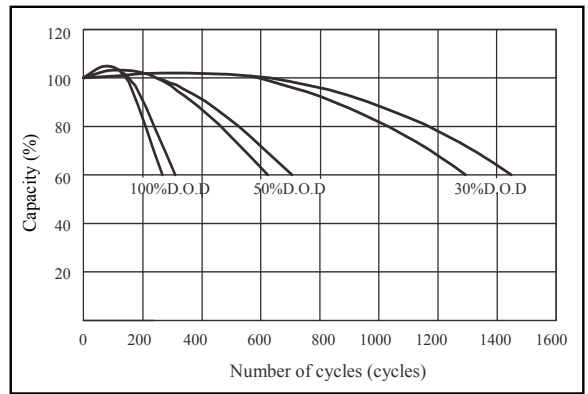
● Self-discharge characteristics



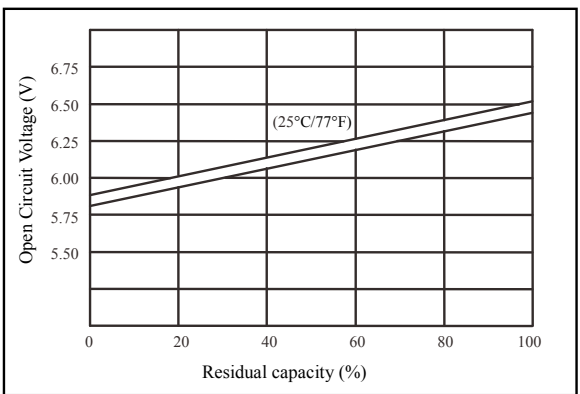
● Floating life on temperature



● Cycle life on D.O.D (25°C)



● Relationship for OCV and capacity (25°C)



● Relationship for charging voltage and temperature

