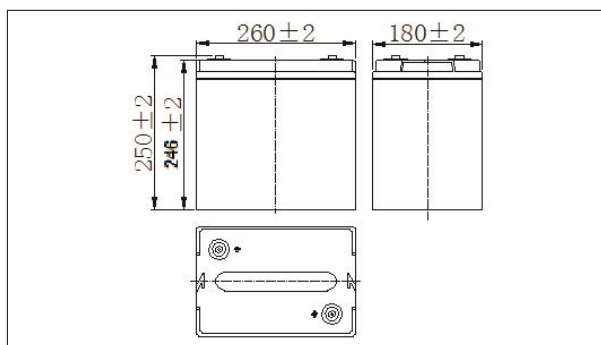


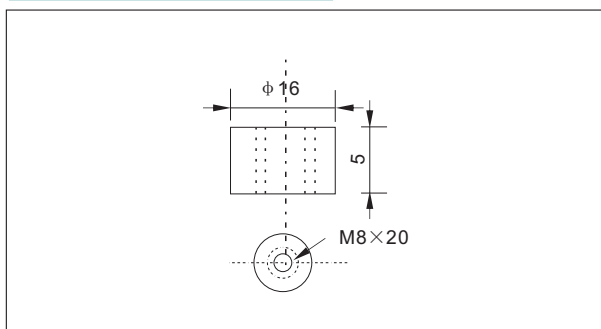
Specifications

Nominal Voltage	6V	
Rated capacity (10 hour rate)	225Ah	
Dimensions	Length	260±2mm(10.24inch)
	Width	180±2mm(6.65inch)
	Height	246±2mm(9.69inch)
	Total Height	250±2mm(9.84inch)
Approx. Weight	30kg(66.1lbs)±3%	

Outer dimensions (mm)



Terminal Type (mm)



Construction

Component	Positive plate	Negative plate	Container	Cover	Separator	Electrolyte	Safety valve	Terminal
Raw material	Lead dioxide	Lead	ABS	ABS	AGM	Sulfuric acid	Rubber	Copper

Constant Current Discharge Characteristics Unit:A(25°C,77°F)

F.V/TIME	15min	30min	60min	2h	3h	4h	5h	6h	8h	10h	20h
4.80V	371	225	140	82.2	57.4	47.0	40.2	35.1	27.5	22.9	12.0
4.95V	362	221	137	81.7	57.0	46.8	39.9	34.9	27.4	22.9	12.0
5.10V	349	214	134	81.0	56.6	46.4	39.7	34.7	27.2	22.8	12.0
5.25V	337	209	131	79.8	56.3	46.1	39.4	34.4	27.0	22.7	11.9
5.40V	319	201	127	77.8	54.6	44.7	38.2	33.4	26.2	22.5	11.8

Constant Power Discharge Characteristics Unit:W(25°C,77°F)

F.V/TIME	15min	30min	60min	2h	3h	4h	5h	6h	8h	10h	20h
4.80V	2038	1262	795	476	337	277	237	208	164	137	72.2
4.95V	1989	1237	783	473	335	275	236	206	163	136	72.0
5.10V	1916	1199	763	469	333	273	234	205	162	136	71.8
5.25V	1851	1170	748	462	331	271	233	203	160	135	71.4
5.40V	1753	1127	725	450	321	263	226	197	156	134	70.9

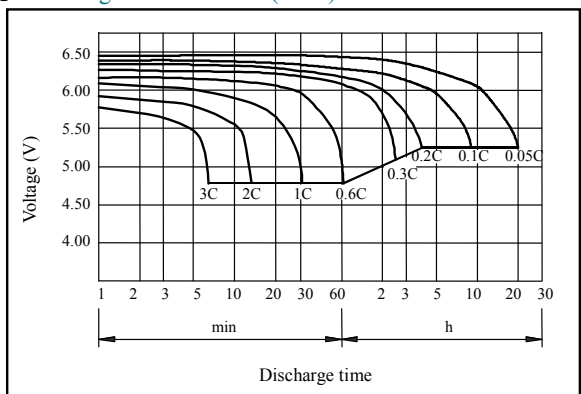
Note: The above characteristics data can be obtained within three charge or discharge cycles.



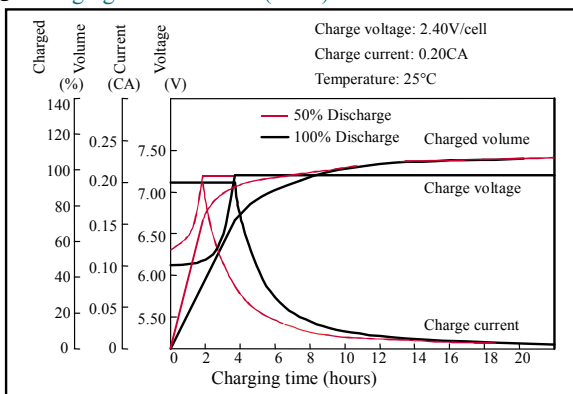
Characteristics

Capacity (25°C)	10HR(5.4V)	225Ah
	3HR(5.4V)	163.8Ah
	1HR(5.25V)	131Ah
Terminal type		T16
Internal resistance (Fully charged,25°C)		Approx.2m Ω
Capacity affected by temperature (10HR)	40°C	102%
	25°C	100%
	0°C	85%
	-15°C	65%
Self-discharge (25°C)	3month	Remaining Capacity:91%
	6month	Remaining Capacity:82%
	12month	Remaining Capacity:65%
Nominal operating temperature		25°C ±3°C(77°F ±5°F)
Operating temperature range	Discharge	-15°C~50°C(5°F~122°F)
	Charge	-10°C~50°C(14°F~122°F)
	Storage	-20°C~50°C(-4°F~122°F)
Float charging voltage(25°C)		6.75 to 6.90V Temperature compensation: -9mV/°C
Cyclic charging voltage(25°C)		7.25 to 7.50V Temperature compensation: -15mV/°C
Maximum charging current		67.5A
Terminal material		Copper
Maximum discharge current		1400A(5 sec.)
Designed floating life(20°C)		10years

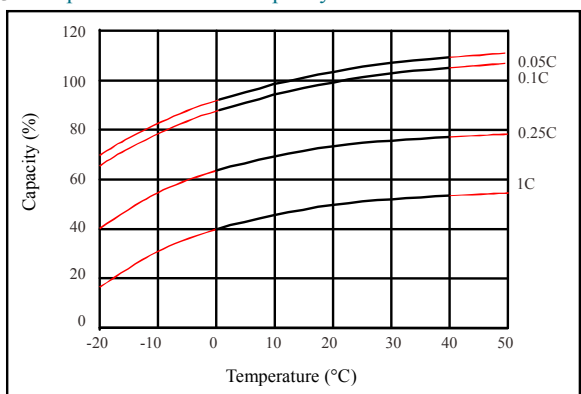
● Discharge characteristics (25°C)



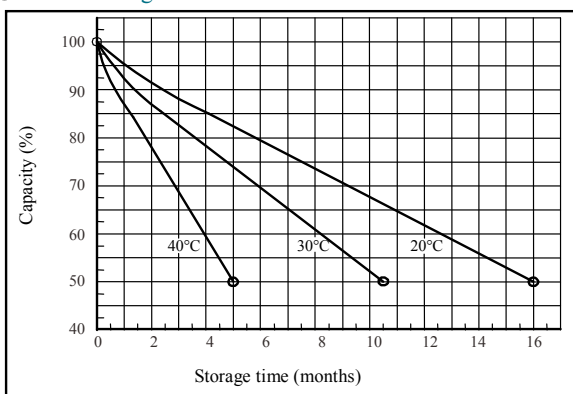
● Charging characteristics (25°C)



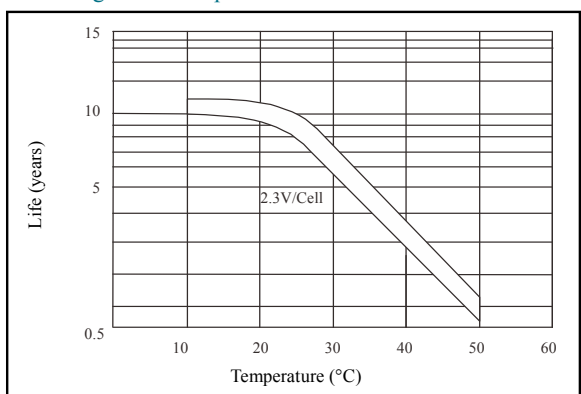
● Temperature effects on capacity



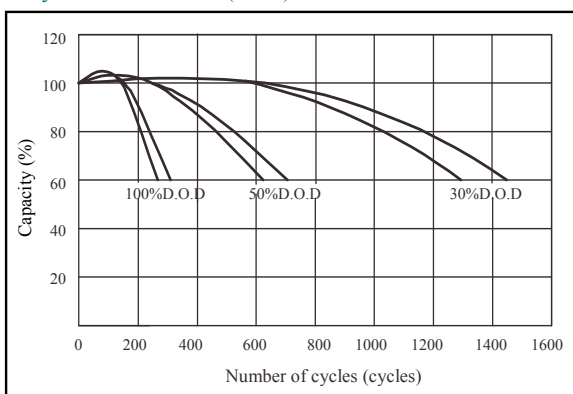
● Self-discharge characteristics



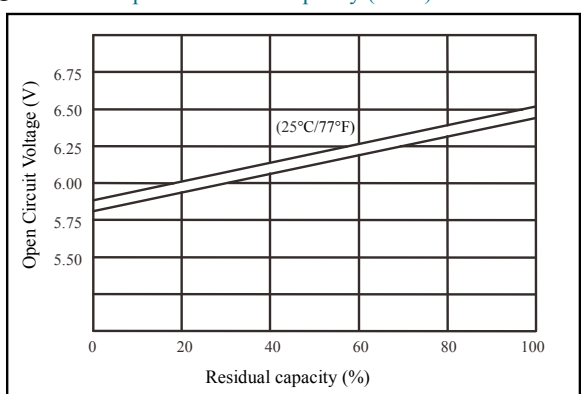
● Floating life on temperature



● Cycle life on D.O.D (25°C)



● Relationship for OCV and capacity (25°C)



● Relationship for charging voltage and temperature

